

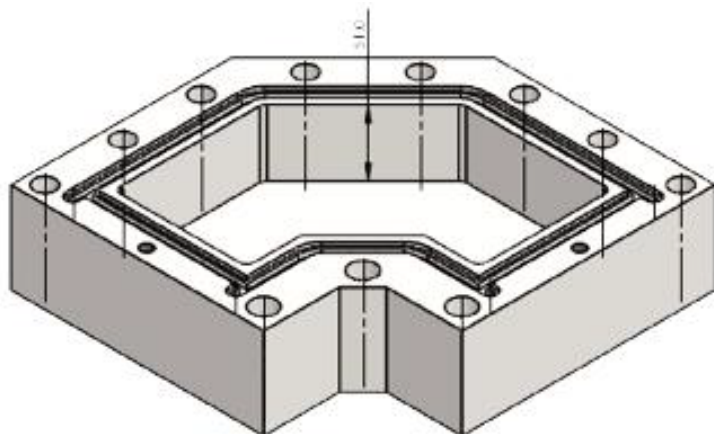


SRJ Enclosure – Technical Datasheet

Intended use:

Pre-machined SRJ Enclosures are intended as emergency repair solutions for leaking pipework and pipe fittings.

These enclosures are available 'off the shelf' and specifically designed to facilitate the rapid encapsulation of localised through-wall defects or leaks from standard pipe fittings such as elbows and tees.



Each enclosure unit is designed to service a range of nominal pipe sizes (NPS) by simply machining the bore of the end caps to suit requirements.

Product features:

- Capable of sealing live system leaks without impacting on plant operation.
- Pre-machined to reduce repair response times.
- For smaller sizes (NPS 6" and below), enclosure half sections made from solid steel plate, eliminating the need for welding, NDT, post weld heat treatment etc.
- Capable of incorporating strongback devices where needed to provide axial restraint.
- Quick and easy to install with no need for complex tooling.

Technical specifications:

- Standard size range: NPS 2" to 12" (DN50 to DN300).
- Designed in accordance with ASME VIII Div 1 and AS 1210 pressure vessel standards / specifications.
- Manufactured from readily available high strength low alloy steel (e.g. AS 3678 Grade 250) and high strength ASTM A193 Grade B7 bolting.
- Nominal operating temperature range:
 - -20 °C to +250 °C
- Maximum operating pressure: refer to product line datasheet

Customised enclosure designs to suit complex shapes and piping configurations, or applications with restricted access, are also available on request.



SRJ Enclosure Product Line Datasheet.

Product	Design Pressure (barg) ¹	Design Temp. (°C) ¹	Sealing Method ²	Suitable Application ^{3,4}
Enclosure Straight, (NPS 1½"-3")	50	250	Elastomeric or Injected	1½" to 3" butt welded straight pipe 1½" to 3" socket weld coupling
Enclosure Tee, (NPS 1½"-3")	50	250	Elastomeric or Injected	1½" to 3" butt welded tee pipe 1½" to 3" socket weld coupling
Enclosure Elbow, (NPS 1½"-3")	50	250	Elastomeric or Injected	1½" to 3" butt welded elbow pipe 1½" to 3" socket weld coupling
Enclosure Straight, (NPS 3½"-6")	50	250	Elastomeric or Injected	3½" to 6" butt welded straight pipe 3½" to 4" socket weld coupling
Enclosure Tee, (NPS 3½"-6")	50	250	Elastomeric or Injected	3½" to 6" butt welded tee pipe 3½" to 4" socket weld coupling
Enclosure Elbow, (NPS 3½"-6")	50	250	Elastomeric or Injected	3½" to 6" butt welded elbow pipe 3½" to 4" socket weld coupling
Enclosure Straight, (NPS 8"-12")	40	250	Injected	8" to 12" butt welded straight pipe
Enclosure Tee, (NPS 8"-12")	40	250	Injected	8" to 12" butt welded tee pipe
Enclosure Elbow, (NPS 8"-12")	40	250	Injected	8" to 12" butt welded elbow pipe

Notes:

1. Subject to engineering review, increased design pressure may be possible depending upon actual temperature of leaking fluid or increased design temperature may be possible depending on actual fluid pressure.
2. Sealing method to be specified after engineering review prior to installation.
3. Final machining of bore required after confirmed site measurements and prior to installation; welded pipe fittings to ANSI B16.9 and welded socket fittings to ANSI B16.11.
4. Elbow enclosures designed to accommodate long and short radius elbow pipe fittings.